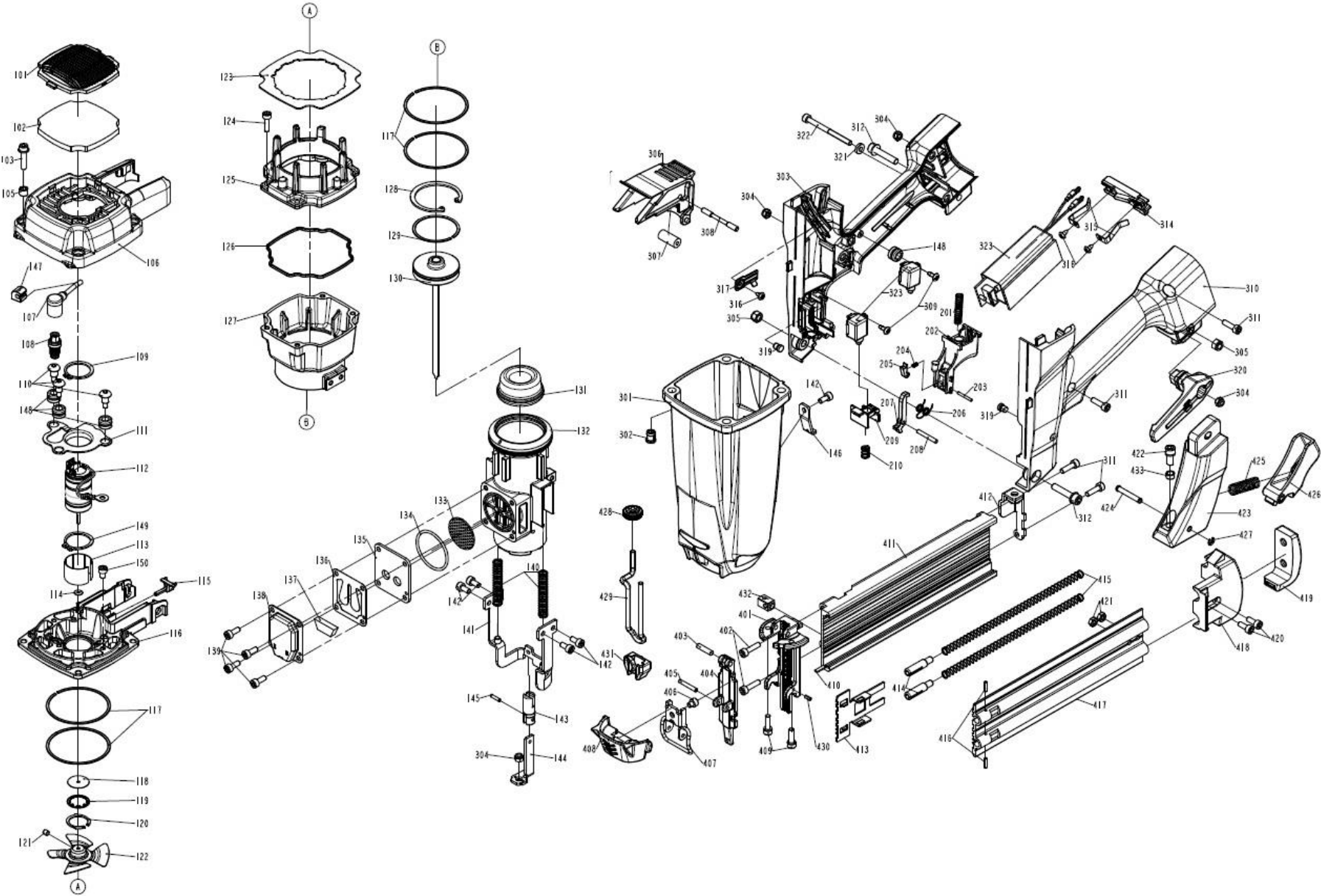


# Brad nailer ESSVE BNG 12/50



# Brad nailer ESSVE BNG 12/50

| Pos | Art. Nr.      | Name                     | Pos | Art. Nr. | Name                   | Pos | Art. Nr.       | Name                  | Extras:                         |         |                 |
|-----|---------------|--------------------------|-----|----------|------------------------|-----|----------------|-----------------------|---------------------------------|---------|-----------------|
| 101 | 10000938      | DEFLECTOR                | 140 | 10001429 | SAFETY SPRING          | 321 | 10001024       | FLAT WASHER           | 901025                          | (3x431) | No mark set     |
| 102 | 10000956      | FILTER                   | 141 | 10001430 | SAFETY C UNIT          | 322 | 10001011       | HEX.SOC.HD.BOLT       |                                 |         |                 |
| 103 | 10000999      | BOLT W/FLAT WASHER       | 142 |          | HEX.SOC.HD.BOLT        | 323 | 1120G00800041  | PCB ASSEMBLY          |                                 |         |                 |
| 105 | 10000935      | COLLOR                   | 143 |          | LINK ROD               | 401 | 10000834       | DRIVER GUIDE          |                                 |         |                 |
| 106 |               | CAP                      | 144 | 10000873 | SAFETY B               | 402 | 10001010       | HEX.SOC.HD.BOLT       | <b>Service kits:</b>            |         |                 |
| 107 |               | HIGH VOLTAGE CABLE SET   | 145 | 10001433 | SPIRAL PINS            | 403 | 10001053       | PIN                   | 901019                          |         | Service Kit     |
| 108 | 1120D00847011 | SPARKLER UNIT            | 146 | 10000997 | MOTOR FAN SWITCH LEVER | 404 | 10000904       | DRIVER GUIDE COVER    | 901021                          |         | Driver unit     |
| 109 | 10001030      | S - RING                 | 148 | 10000902 | FEED BUMPER            | 405 | 10001050       | SPIRAL PINS           | 901121                          |         | Motor unit      |
| 110 |               | SCREW                    | 149 | 10001031 | S - RING               | 406 | 10001001       | HEX.SOC.HD.BOLT       | 901133                          |         | Battery         |
| 111 | 10000859      | FAN MOTOR BRACKET        | 150 |          | HEX.SOC.HD.BOLT        | 407 | 10000824       | LOCK HANDLE UNIT      | 901135                          |         | Charger+Adapter |
| 112 | 10001405      | MOTOR UNIT               | 201 | 10001435 | SPRING                 | 408 | 10000953       | COVER-SAFETY          |                                 |         |                 |
| 113 | 10000990      | SLEEVE MOTOR             | 202 | 10000847 | TRIGGER                | 409 | 10000998       | BOLT ASSY             | Multiple color, present in both |         |                 |
| 114 | 10000960      | WASHER-MOTOR SHAFT       | 203 | 10001051 | PIN                    | 410 | 10000948       | FLAT BAR              |                                 |         |                 |
| 115 | 113A611539012 | FUEL STEM ADAPTER        | 204 | 10000964 | GUIDE LOCATING SPRING  | 411 | 10000962       | MAGAZINE A            |                                 |         |                 |
| 116 |               | END CAP-COMBUSTION CH    | 205 | 10000837 | STOPPER                | 412 | 10000860       | BRACKET               |                                 |         |                 |
| 117 | 10001410      | PISTON RING-CYLINDER     | 206 | 10000846 | SPRING                 | 413 | 10000921       | PUSHER                |                                 |         |                 |
| 118 | 10001275      | SEAL                     | 207 | 10000876 | SAFETY                 | 414 | 10000950       | SHAFT                 |                                 |         |                 |
| 119 | 10001230      | SEAL PLATE-MOTOR         | 208 | 10001052 | PIN                    | 415 | 10000927       | PUSHER SPRING         |                                 |         |                 |
| 120 | 10001322      | IN-CONCENTRIC RING       | 209 | 10000955 | LINK-BLOCK             | 416 | 10001041       | SPRING PIN            |                                 |         |                 |
| 121 | 2040104020102 | HEX.SOC.HD.SCREW         | 210 | 10000958 | SPRING                 | 417 | 10000971       | MAGAZINE B            |                                 |         |                 |
| 122 | 1120C00800011 | COOLING FAN ASSEMBLY     | 301 |          | GUN BODY UNIT          | 418 | 10000897       | REAR PLATE            |                                 |         |                 |
| 123 | 10001412      | SPACER                   | 302 | 10000987 | CAP NUT                | 419 | 10000968       | PROTECTING HOOD COVER |                                 |         |                 |
| 124 | 10001415      | HEX.SOC.HD.BOLT          | 303 |          | HANDLE A UNIT          | 420 | 10001007       | HEX.SOC.HD.BOLT       |                                 |         |                 |
| 125 |               | UPPER COMBUSTION CHAMBER | 304 | 10001056 | LOCK NUT               | 421 | 10001058       | NUT                   |                                 |         |                 |
| 126 | 10001416      | PACKING                  | 305 |          | LOCK NUT               | 422 | 10001012       | HEX.SOC.HD.BOLT       |                                 |         |                 |
| 127 |               | COMBUSTION CHAMBER       | 306 | 10000996 | FUEL ACTUATOR          | 423 | 10000861       | POSITIONING SHEET     |                                 |         |                 |
| 128 | 10001029      | C - RING                 | 307 | 10000992 | BUSH-FUEL ACTUATOR     | 424 | 10000892       | LATCH PIN             |                                 |         |                 |
| 129 | 10001418      | PISTON RING              | 308 | 10000864 | PIN-FUEL ACTUATOR      | 425 | 10000845       | LOCK.SPRING           |                                 |         |                 |
| 130 |               | DRIVER UNIT              | 309 |          | TAP BOLT               | 426 | 10000890       | LATCH                 |                                 |         |                 |
| 131 | 10001420      | BUMPER                   | 310 |          | HANDLE B UNIT          | 427 | 10001037       | E - RING              |                                 |         |                 |
| 132 | 10001421      | CYLINDER                 | 311 | 10001009 | HEX.SOC.HD.BOLT        | 428 | 10000978       | ADJUST AXIE           |                                 |         |                 |
| 133 | 1139W04600011 | EXHAUST MESH PLATE       | 312 | 10001307 | BOLT W/FLAT WASHER     | 429 | 10000871       | SAFETY A              |                                 |         |                 |
| 134 | 10001064      | O - RING                 | 314 | 10001268 | BATTERY NODE BRACKET   | 430 | 10001042       | SPRING PIN            |                                 |         |                 |
| 135 | 10000994      | EXHAUST BAFFLE           | 315 | 10001304 | BATTERY NODE           | 431 | 901025 (3 pcs) | PROTECTIVE CASING     |                                 |         |                 |
| 136 | 1139X00800011 | REED VALVE               | 316 | 10001315 | TAP BOLT               | 432 | 10000850       | ANCHOR BLOCK          |                                 |         |                 |
| 137 | 10000993      | CLEANER B                | 317 |          | WIRE HARNESS PLATE     | 433 | 10000988       | LATCH SPRING BUSHING  |                                 |         |                 |
| 138 | 10000995      | DEFLECTOR                | 319 |          | LED COVER              |     |                |                       |                                 |         |                 |
| 139 |               | HEX.SOC.HD.BOLT          | 320 | 10000885 | SPRING RETAINER        |     |                |                       |                                 |         |                 |

